

6280HD COMMANDER WALK-BEHIND SCRAPER **SERVICE MANUAL**



Read Manual Before Servicing Machine



Call AAA Rent-All at 225-291-1356 for assistance ordering parts

Table of Contents

Table of Contents	3
Specifications	4
Troubleshooting Guide	8
Maintenance	9
Inspection of Internal Parts	9
Tank Removal	10
Power Cord	10
Parts List and Diagrams	11
External	11
Bottom and Back Covers	12
Body	12
Wheel	12
Eccentric, Chain, and Belt	13
Motor	13
Tank	14
Weights	15
Pump	15
Upper Handle	16
Lower Sub-Assembly	17
Speed Control Knob	17
Hydraulics	18
Lever	19
Front Cover	20
Adjustment Rod	21
Transport Wheel	21
Idler Mount	22
Hydraulic Motor	22
Base	23
Wiring	24
Hydraulic Layout	25
Warranty	26

Specifications



Product Specifications						
Width	Max.Length	Max. Height	Weight	Speed	RPM	Amps
17.75" (45 cm)	49.5" (126 cm)	46.75" (119 cm)	365 lb (165.5 kg) (machine only) 490 lb (222.26 kg) (with weights)	12 m/min.	1438	10.5 (full load)

Machine Variants			
Region	Serial Number	Power / Frequency	Body Panels
Domestic	6280HD-COM-10XXXX	120 / 60	Silver Vein
	6280HD-COM-12XXXX	120 / 60	Green
International	6280HD-COM-11XXXX	230 / 50	Silver Vein
	6280HD-COM-13XXXX	230 / 50	Silver Vein
	6280HD-COM-26XXXX	230 / 50	Silver Vein
	6280HD-COM-27XXXX	230 / 50	Silver Vein

GENERAL RULES FOR SAFE OPERATION

Before use, anyone operating or performing maintenance on this equipment must read and understand this manual, as well as any labels packaged with or attached to the machine and its components. Read the manual carefully to learn equipment applications and limitations, as well as potential hazards associated with this type of equipment. Keep manual near machine at all times. If your manual is lost or damaged, contact National Flooring Equipment (NFE) for a replacement.

Personal

Dress properly and use safety gear.

Do not wear loose clothing; it may be caught in moving parts. Anyone in the work area must wear safety goggles or glasses, hearing protection during extended use, and a dust mask for dusty operations. Hard hats, face shields, safety shoes, etc. should be worn when specified or necessary.

Maintain control; stay alert.

Keep proper footing and balance, and maintain a firm grip. Observe surroundings at all times and use common sense. Do not use when tired, distracted, or under the influence of drugs, alcohol, or any medication that may cause decreased control.

Keep hands away from all moving parts and tooling.

Wear gloves when changing tooling. Remove tooling when machine is not in use and/or lower cutting head to the floor.

Do not force equipment.

Equipment will perform best at the rate for which it was designed. Excessive force only causes operator fatigue, increased wear, and reduced control.

Environment

Avoid use in dangerous environments.

Do not use in rain, damp or wet locations, or in the presence of explosive atmospheres (gaseous fumes, dust, or flammable materials). Remove materials or debris that may be ignited by sparks. Keep work area tidy and well-lit - a cluttered or dark work area may lead to accidents.

Protect others in the work area and be aware of surroundings.

Provide barriers or shields as needed to protect others from debris and machine operation. Children and other bystanders should be kept at a safe distance from the work area to avoid distracting the operator and/or coming into contact with the machine. Operator should be aware of who is around them and their proximity. Support personnel should never stand next to, in front of, or behind the machine while the machine is running. Operator should look behind them before backing up.

Guard against electric shock.

Ensure that machine is connected to a properly grounded outlet. Prevent bodily contact with grounded surfaces, e.g. pipes, radiators, ranges, and refrigerators. When scoring or making cuts, always check the work area for hidden wires or pipes.

Maintenance & Repairs

Begin maintenance work only when the machine is shut down, unplugged, and cooled down.

Use proper cleaning agents.

Ensure that all cleaning rags are fiber-free; do not use any aggressive cleaning products.

Schedule regular maintenance check-ups.

Ensure machine is properly cleaned and serviced. Remove all traces of oil, combustible fuel, or cleaning fluids from the machine and its connections and fittings. Retighten all loose fittings found during maintenance and repair work. Loose or damaged parts should be replaced immediately; use only NFE parts.

Do not weld or flame-cut on the machine during repairs, or make changes to machine without authorization from NFE.

Equipment

Use proper parts and accessories.

Only use NFE-approved or recommended parts and accessories. Using any that are not recommended may be hazardous.

Ensure accessories are properly installed and maintained.

Do not permanently remove a guard or other safety device when installing an accessory or attachment.

Inspect for damaged parts.

Check for misalignment, binding of moving parts, loose fasteners, improper mounting, broken parts, and any other conditions that may affect operation. If abnormal noise or vibration occurs, turn the machine off immediately. Do not use damaged equipment until repaired. Do not use if power switch does not turn machine on and off. For all repairs, insist on only identical NFE replacement parts.

Maintain equipment and labels.

Keep handles dry, clean, and free from oil and grease. Keep cutting edges sharp and clean. Follow instructions for lubricating and changing accessories. Motor and switches should be completely enclosed at all times with no exposed wiring. Inspect cord regularly. Labels carry important information; if unreadable or missing, contact NFE for a free replacement.

Avoid accidental starting; store idle equipment.

When not in use, ensure that the machine is unplugged; do not turn on before plugging in. Store in a dry, secured place. Remove tooling when storing, and keep away from children.



CAUTION! ENSURE PROPER USE OF EXTENSION CORDS. IF AMP DRAW IS HIGHER THAN SHOWN ON TABLE OR CORD IS LONGER THAN 50 FT, SEE AN ELECTRICIAN.

ASSUMPTIONS: 3% ALLOWABLE VOLTAGE DROP, COPPER CONDUCTORS RATED FOR 75°C, 1.25 SAFETY FACTOR, CORD VOLTAGE RATING OF 600VAC, PROPER CORD TYPES (STO, STOW, SOOW).

Amp Draw	Gauge
0-12	14
13-16	12
14-24	10
25-40	8

Safety

WALK-BEHIND SCRAPER SAFETY GUIDELINES

Before use, anyone operating this equipment must read and understand these safety instructions.

Scraping

Beware of hidden obtrusions.

Watch out for hidden dangers and protrusions in flooring. Do not use on largely uneven surfaces.

Observe location of electrical supplies and extension cords.


Do not allow cutting heads to come into contact with any electrical supply or extension cord.

Use correct tooling and accessories.

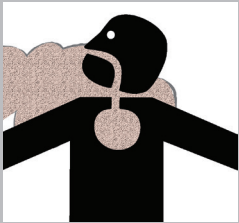
Provide barriers or shields as needed to protect others from debris. After mounting tooling, check for proper alignment.

Use for correct applications.

Do not force equipment to do heavier duty work than it was made for.



WARNING: GRINDING/CUTTING/DRILLING OF MASONRY, CONCRETE, METAL AND OTHER MATERIALS CAN GENERATE DUST, MISTS AND FUMES CONTAINING CHEMICALS KNOWN TO CAUSE SERIOUS FATAL INJURY OR ILLNESS, SUCH AS RESPIRATORY DISEASE, CANCER, BIRTH DEFECTS OR OTHER REPRODUCTIVE HARM. IF YOU ARE UNFAMILIAR WITH THE RISKS ASSOCIATED WITH THE PARTICULAR MATERIAL BEING CUT, REVIEW THE MATERIAL SAFETY DATA SHEET AND/OR CONSULT YOU EMPLOYER, THE MATERIAL MANUFACTURER/SUPPLIER, GOVERNMENTAL AGENCIES SUCH AS OSHA AND NIOSH AND OTHER AUTHORITIES ON HAZARDOUS MATERIALS. CALIFORNIA AND SOME OTHER AUTHORITIES, FOR INSTANCE, HAVE PUBLISHED LISTS OF SUBSTANCES KNOWN TO CAUSE CANCER, REPRODUCTIVE TOXICITY, OR OTHER HARMFUL EFFECTS. CONTROL DUST, MIST AND FUMES AT THE SOURCE WHERE POSSIBLE. IN THIS REGARD USE GOOD WORK PRACTICES AND FOLLOW THE RECOMMENDATIONS OF THE MANUFACTURER/SUPPLIER, OSHA/NIOSH, AND OCCUPATIONAL AND TRADE ASSOCIATIONS. WHEN THE HAZARDS FROM INHALATION OF DUST, MISTS AND FUMES CANNOT BE ELIMINATED, THE OPERATOR AND ANY BYSTANDERS SHOULD ALWAYS WEAR A RESPIRATOR APPROVED BY OSHA/MSHA FOR THE MATERIAL BEING CUT.



HYDRAULIC SAFETY

Maintaining a Safe Work Environment

Establishing a safe work environment in and around your hydraulic equipment is extremely important. The easiest and most effective way to avoid problems is to make sure associates understand their equipment, know how to operate the machines safely, and recognize the dangers if handled carelessly. A few things to be aware of are:

- **Pressure:** Hydraulic fluid under pressure is dangerous and can cause serious injury. Never look for a leak when unit is under pressure. Using your hand could cause serious injury. A few common ways to encounter hydraulic fluid under pressure include:
 - Pinhole: Fluid under pressure can cause serious injury. It can be almost invisible escaping from a pinhole, and it can pierce the skin into the body.



DANGER: DO NOT TOUCH A PRESSURIZED HYDRAULIC HOSE ASSEMBLY WITH ANY PART OF THE BODY. IF FLUID PUNCTURES THE SKIN, EVEN IF NO PAIN IS FELT, A SERIOUS EMERGENCY EXISTS. OBTAIN MEDICAL ASSISTANCE IMMEDIATELY. FAILURE TO DO SO COULD RESULT IN LOSS OF THE INJURED BODY PART OR DEATH.

- Leak: Keep fittings and hoses tight. Only check and service when not under pressure. Leaking hydraulic fluid is hazardous; in addition to making workplace floors slippery and dangerous, it also contaminates the environment. Before cleaning an oil spill, always check EPA, state, and local regulations.
- Burst: Whether due to improper selection or damage, a ruptured hose can cause injury. If it bursts, a worker can be burned, cut, injected, or may slip and fall.
- Coupling Blow-Off: If the assembly is not properly made or installed, the coupling could come off and hit or spray a worker, possibly resulting in serious injury. Never operate machine without guards.
- **Flammability:** When ignited, some hydraulic fluids can cause fires and/or explode. With the exception of those comprised primarily of water, all hydraulic fluid is flammable (including many “fire-resistant” hydraulic fluids) when exposed to the proper conditions. Leaking pressurized hydraulic fluids may develop a mist or fine spray that can flash or explode upon contact with a source of ignition. These explosions can be very severe and could result in serious injury or death. Precautions should be taken to eliminate all ignition sources from contact with escaping fluids, sprays or mists resulting from hydraulic failures. Sources of ignition could be electrical discharges (sparks), open flames, extremely high temperatures, sparks caused by metal-to-metal contact, etc.



CAUTION: NEVER USE YOUR HANDS TO CHECK FOR LEAKS OVER HOSE OR HYDRAULIC CONNECTIONS. USE A PIECE OF CARDBOARD TO LOCATE A PRESSURIZED LEAK. FOR LOW PRESSURE LEAKS (DRIPS), USE A RAG TO CLEAN THE AREA AND DETERMINE WHERE THE LEAK ORIGINATES.

- **Mechanical:** Hydraulic fluid creates movement, which means some equipment may move. Observe surroundings and equipment at all times.
- **Moisture:** Do not use in wet or high moisture conditions.
- **Electrical:** Faulty wiring can be an electrical hazard. A regular preventive maintenance program should always include a wiring check. If applicable, disconnect battery before servicing.
- **Temperature:** Because this machine operates at a relatively low pressure, overheating is not common. If surface of tank becomes too hot to touch by hand (above 130°F or 55°C), shut off machine and allow it to cool.

Hydraulic Fluid

Only use Texaco Rando 46 Hydraulic Oil or Compatible Fluid like ISO32. Non-compatible fluids could cause damage to unit or serious injury.

Troubleshooting Guide

Problem	Cause	Solution
No forward or reverse functionality while under power.	Check wheel pins.	Ensure wheel pins are in the wheels.
	Check belt.	Check belt by removing front cover and inspecting.
Motor shuts off or will not start.	Electric box needs to be reset.	Press reset button located on electric box on motor.
Wheels do not turn when machine is under power.	Axle pins out of place.	Check axle pins and make sure they are in place.
Motor problems (humming etc.).	Carbon build-up on starter switch.	Press reset button. If problem persists, take fan cover off and unscrew 4 bolts to take the fan off. Clean starter switch with emery board or cloth.
Shank doesn't fit into angle attachment.	Burrs inside angle attachment.	Use round file until burrs are gone.
	Damage to shank insert end.	Remove damage with file or hand grinder. Replace shank if necessary.

Maintenance



WARNING: ALWAYS UNPLUG MACHINE BEFORE MAINTAINING.

WHEEL CLEANER ADJUSTMENT

1. Loosen wheel cleaner with wrench (Figure 13).
2. Slide cleaner up to face of wheel until it touches, but does not dig into wheel surface.
3. Re-tighten firmly.

Note: Too much interference between wheel and cleaner could cause damage.

WHEEL REMOVAL

1. Unplug machine.
2. Lay machine on its side.
3. Use provided allen wrench.
4. Remove axle pin (Figure 14).
5. Remove wheel securing screw. (Figure 14).
6. Remove wheel securing cap; wheel will slide off.
7. Remove wheel spacer. Clean out debris regularly.

ADDING OR CHANGING HYDRAULIC FLUID

- Change or add fluid when needed and at least once a year under normal conditions. Check fluid level; also for leaks, damaged or ruptured hoses, or loose fittings. Fluid should be level with the bottom of the tank plug hole (Figure 15).
- **To add fluid**, unscrew filler port cap from top of machine (Figure 15.1).
- **To change fluid**, remove filler port cap (Figure 15.1). Remove drain plug from side of machine (Figure 15.2). An 8 liter container will be needed to drain fluid into (fluid will not be removed from hoses).
- Machine has a straining system, but add fluid through a filter or funnel with a screen to keep fluid clean.

INSPECTION OF INTERNAL PARTS

Visual inspection of internal parts can be done without draining tank.

1. Remove two lifting bail eyebolts and the two bolts from the back of the tank.
2. Carefully lift tank 3-4" (7.6-10 cm).
3. Using a flashlight, inspect drive chain, hoses, and suction and pressure line on pump.
4. If service is necessary, follow procedure for tank removal.

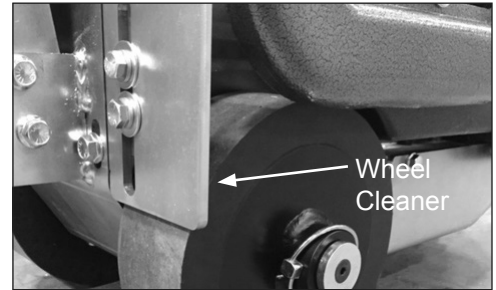


FIG. 13

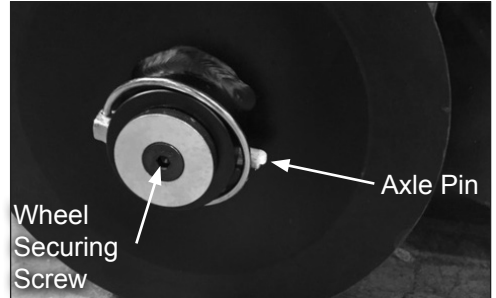


FIG. 14

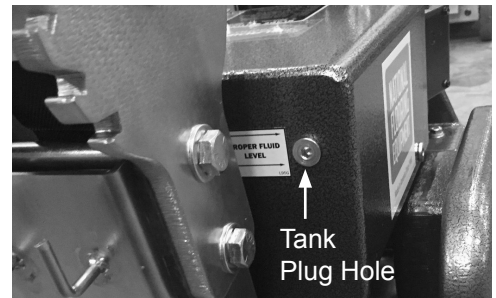


FIG. 15



FIG. 15.1



FIG. 15.2

Maintenance

TANK REMOVAL

Removing the tank will be necessary to repair the pump or to replace or service internal hoses.

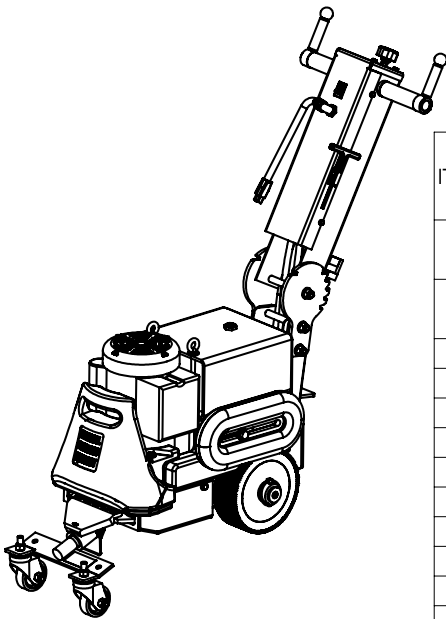
1. Drain tank as described in Adding or Changing Hydraulic Fluid.
2. Replace drain plug and filler port cap.
3. Remove two lifting bail eyebolts and the two bolts from the back of the tank.
4. Disconnect return line on back of tank; carefully lift tank 3-4" (7.6-10 cm) and disconnect suction line. Tank can now be removed.

POWER CORD

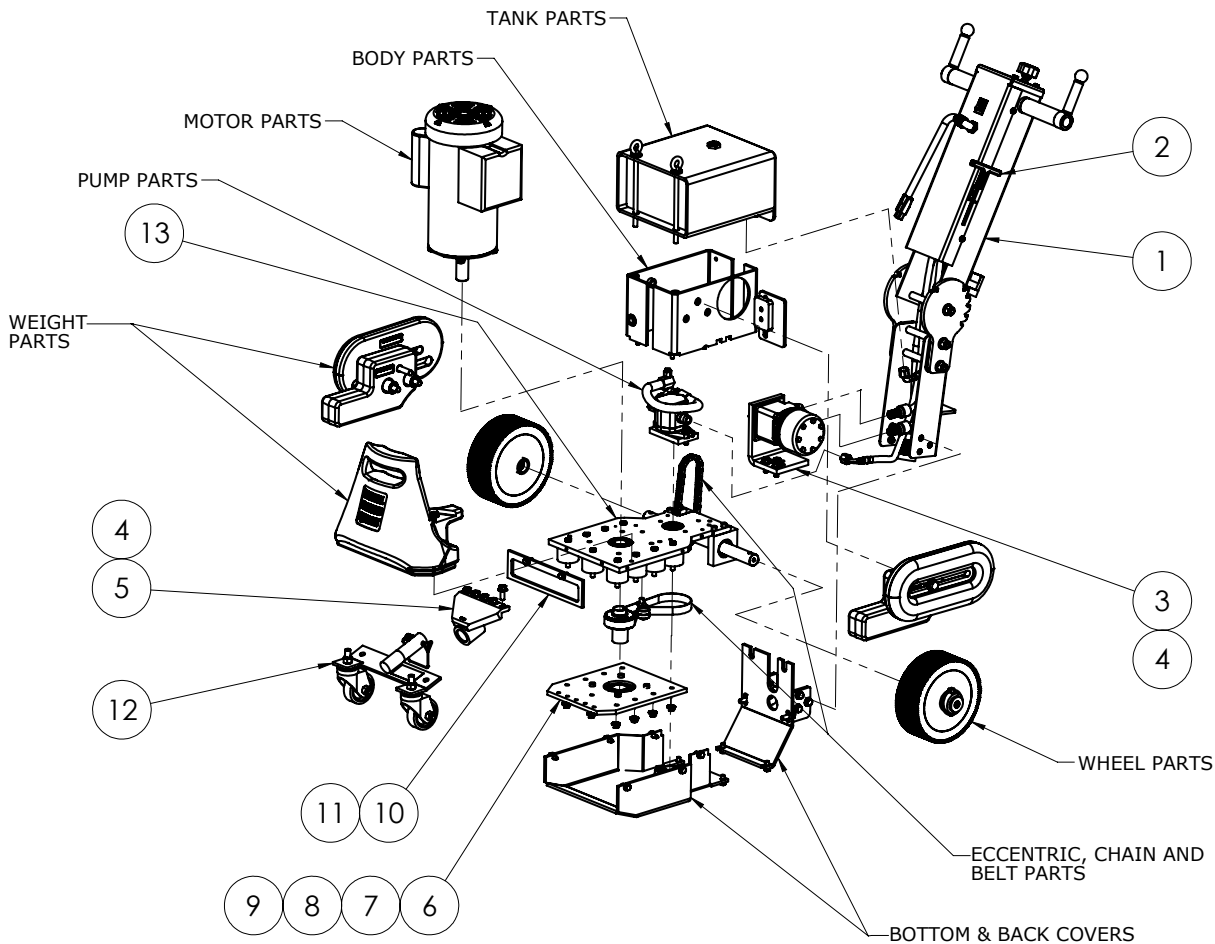
If power cord is damaged, it must be replaced by NFE or a qualified service center.

Parts List and Diagrams

EXTERNAL

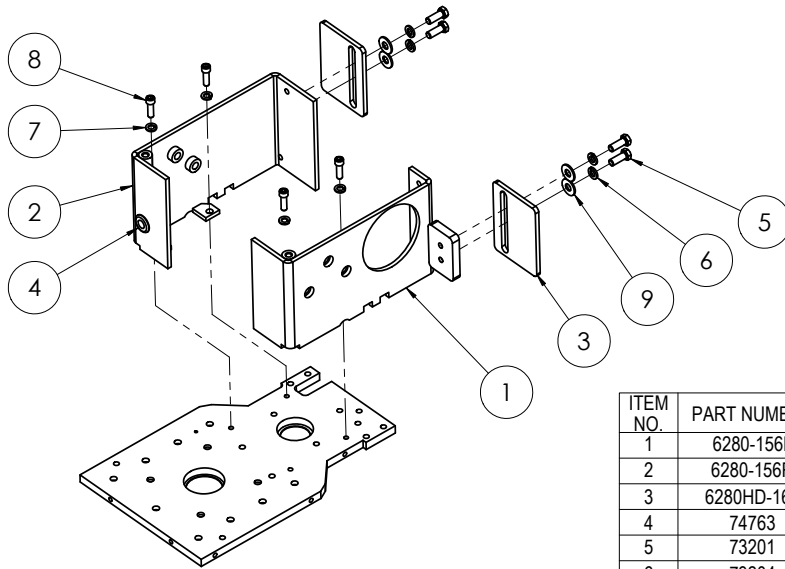


ITEM NO.	6280HD-11XXXX 6280HD-13XXXX 6280HD-26XXXX 6280HD-27XXXX	6280HD-10XXXX 6280HD-12XXXX 6280HD-23XXXX	DESCRIPTION	QTY.
1	400025		Assembly, Commander Handle, 230V	1
		401577	Assembly, Commander Handle, 115V	1
2	5280-137W		Wrench, Blade	1
		6280-401B	Wrench, Allen, 7/32	1
3	6280HD-HYDMOTOR	6280HD-HYDMOTOR	Motor, Hydraulic, Sub, 6280HD	1
4	73222	73222	Bolt, Flange 3/8-16 x 1	8
5	402276	402276	Attachment, Sub, 9 Degree Angle	1
6	6280HD-1	6280HD-1	Plate, Base, Cutting Head	1
7	73418	73418	Bolt, Hex Head 1/2-20x1	4
8	71141	71141	Bearing, 1-7/16" ID 16SC4FB Dodge Housing Assy	1
9	73423	73423	Washer, Interior/Exterior Lock 1/2"	4
10	6280HD-145	6280HD-145	Cover, Front	1
11	73318	73318	Bolt, Wizlock Flange 5/16-18x5/8	12
12	6280HD-250	6280HD-250	Assembly, Transport Wheel, 6280HD	1
13	6280HD-BASEASSY	6280HD-BASEASSY	Base Assembled, 6280HD	1



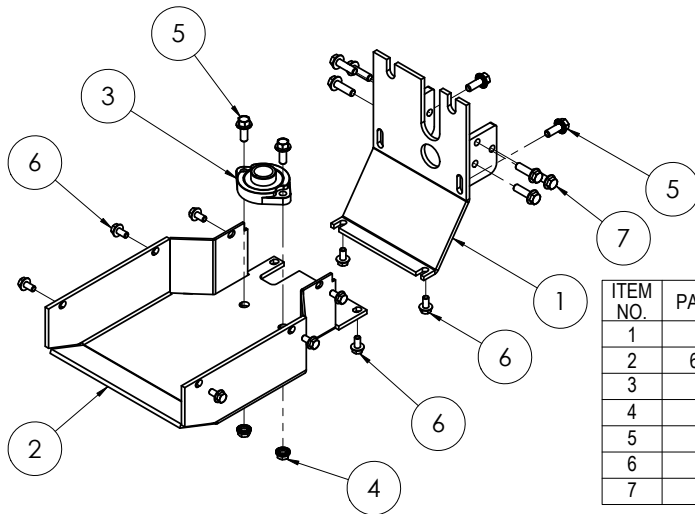
Parts List and Diagrams

BODY



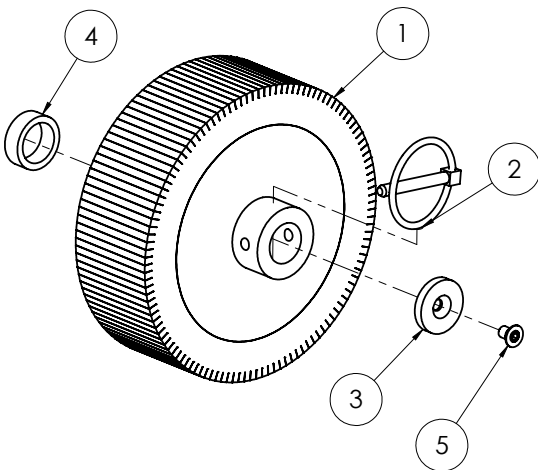
ITEM NO.	PART NUMBER	DESCRIPTION	QTY.
1	6280-156L	Body, Main, Upper, Left	1
2	6280-156R	Body, Main, Upper, Right	1
3	6280HD-165	Cleaner, Wheel	2
4	74763	Grommet, Rubber 1/2"	1
5	73201	Screw, Hex Head Cap, 3/8-16 x 1	8
6	73204	Washer, Lock, 3/8	8
7	73303	Washer, Split Lock 5/16	4
8	73311	Screw, Socket Head Cap, 5/16-18 x 1	4
9	73264	Washer, Flat, Zinc USS 3/8	8

BOTTOM AND BACK COVERS



ITEM NO.	PART NUMBER	DESCRIPTION	QTY.
1	6280-139	Cover, Rear	1
2	6280HD-138	Cover, Main Bottom	1
3	71118	Bearing, Flange	1
4	73211	Nut, Flange, Serrated, 3/8-16	11
5	73222	Bolt, Flange 3/8-16 x 1	14
6	73318	Bolt, Wizlock Flange 5/16-18x5/8	12
7	73223	Bolt, Flange 3/8-16x1-1/4	8

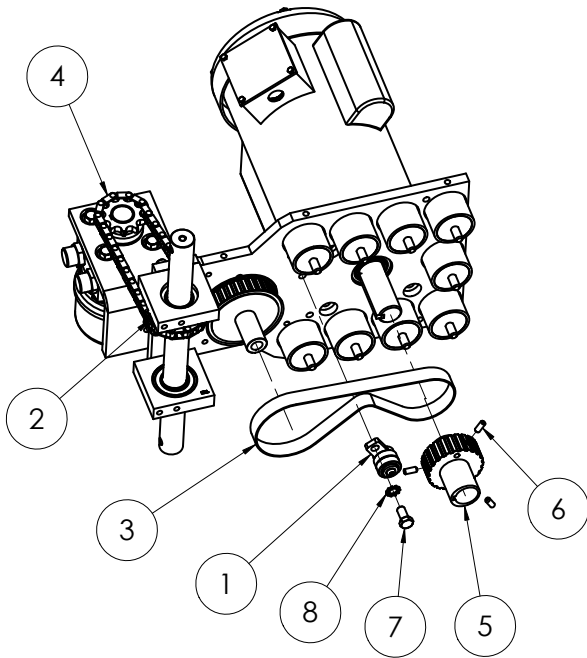
WHEEL



ITEM NO.	PART NUMBER	DESCRIPTION	QTY.
1	402592	Wheel, Drive, Siped, Heavy Duty, 8.25 x 2.75	2
2	402311	Pin, Lynch, 5/16 x 2-1/16	2
3	6280-112	Cap, Wheel	2
4	6280HD-112	Spacer, Wheel	2
5	73313	Screw, Flat Head Socket Cap 5/16-18x1/2	2

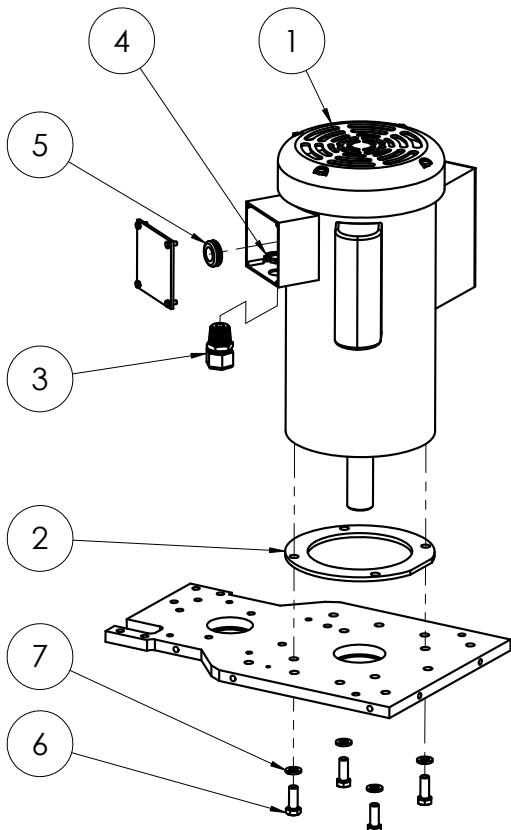
Parts List and Diagrams

ECCENTRIC, CHAIN, AND BELT



ITEM NO.	PART NUMBER	DESCRIPTION	QTY.
1	6280-125	Assembly, Idler	1
2	6280-229	Link, Master, Drive Chain	1
3	6280HD-108	Belt, Pump Drive	1
4	6280HD-228	Chain, Drive	1
5	6280HD-400	Eccentric	1
6	73044	Screw, Cup Point Socket Set 1/4-20 x 5/8	3
7	73218	Bolt, HHCS, 3/8-24x.75	1
8	73215	Washer, External Lock 3/8	1

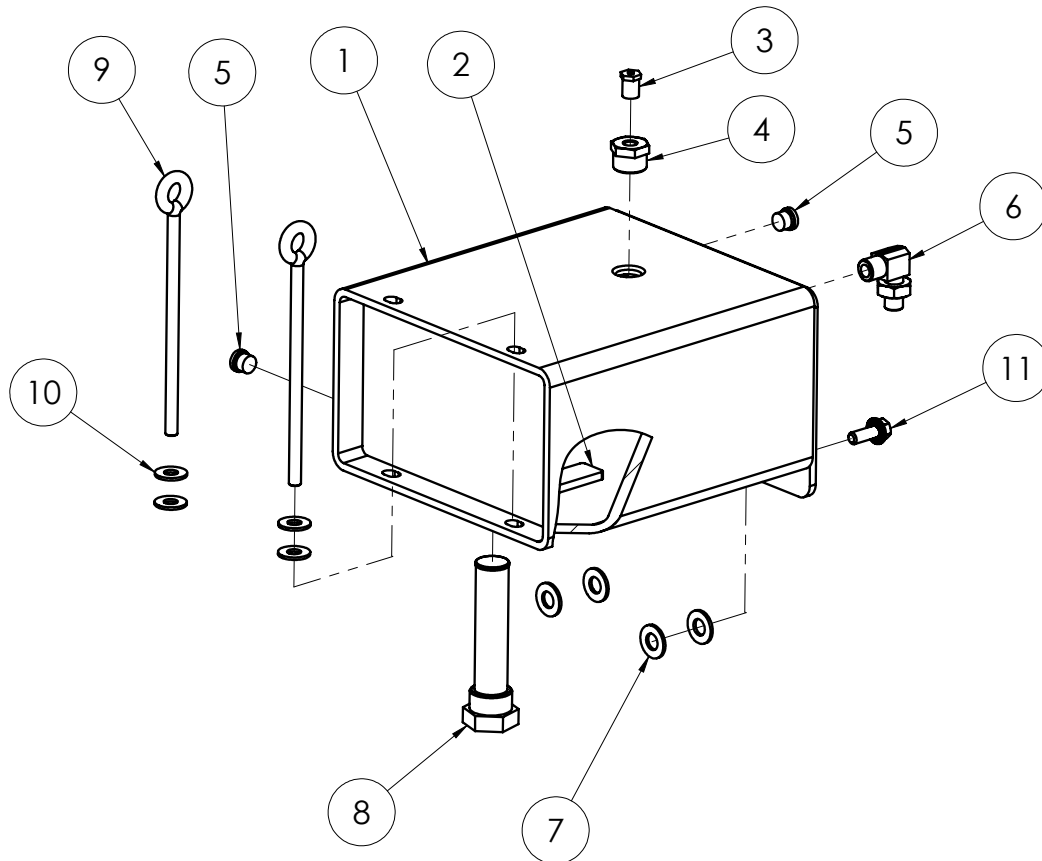
MOTOR



ITEM NO.	PART NUMBER	DESCRIPTION	QTY.
1	72362	Motor, 1-1/2 HP, 115/230 Volt	1
2	6280-179	Ring, Motor Spacer	1
3	73502	Strain Relief, Straight 1/2 in	1
4	73401	Nut, Strain Relief, Steel, 1/2"	1
5	74730	Grommet, Rubber 5/8"	1
6	73201	Screw, Hex Head Cap, 3/8-16 x 1	4
7	73204	Washer, Lock, 3/8	4

Parts List and Diagrams

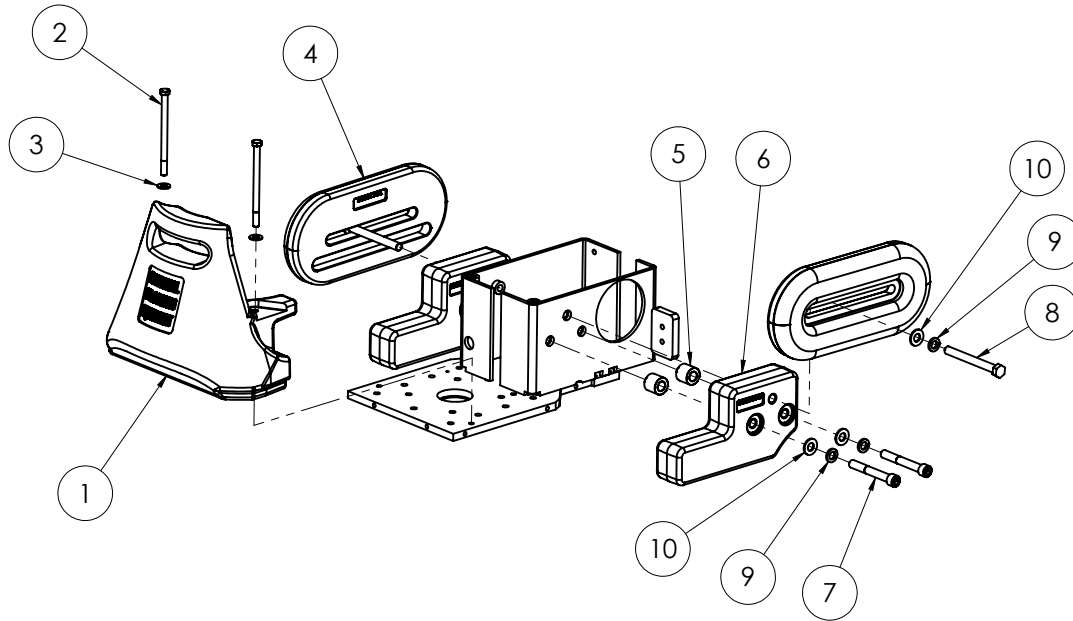
TANK



ITEM NO.	6280HD-10XXXX 6280HD-11XXXX 6280HD-13XXXX 6280HD-23XXXX 6280HD-26XXXX 6280HD-27XXXX	6280HD-12XXXX	DESCRIPTION	QTY.
1	6280-162-SV		Tank, Hydraulic, Weldment, Silver Vein	1
		6280-162-G	Tank, Hydraulic, Green	1
2	6280-162G	6280-162G	Magnet, Tank	1
3	6280-161B	6280-161B	Plug, Vent, Filler Cap	1
4	6280-161D	6280-161D	Plug, Filler Port	1
5	6280-214	6280-214	Plug, Tank	2
6	72816	72816	Fitting, Elbow, 90 Deg. 3/8	1
7	401452	401452	Washer, Flat, 1/2", SAE	4
8	70601	70601	Strainer, Tank Mounted	1
9	73228	73228	Eye Bolt, 3/816x8	2
10	73264	73264	Washer, Flat, Zinc USS 3/8	4
11	73222	73222	Bolt, Flange 3/8-16 x 1	2

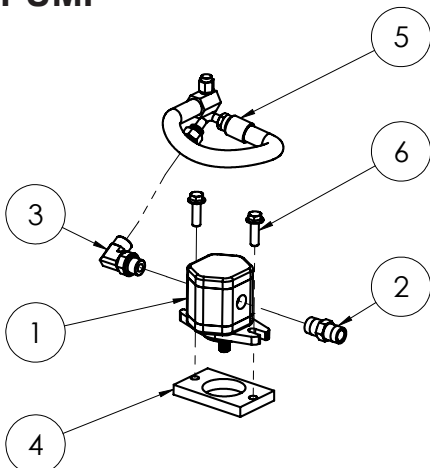
Parts List and Diagrams

WEIGHTS



ITEM NO.	6280HD-10XXXX 6280HD-11XXXX 6280HD-13XXXX 6280HD-23XXXX 6280HD-26XXXX 6280HD-27XXXX	6280HD-12XXXX	DESCRIPTION	QTY.
1	401564-SV		Weight, Counter, Front, Silver Vein	1
		401564-G	Counterweight, Front, Cast, Green	1
2	402225	402225	Bolt, Hex Head Cap 3/8-16 X 5-1/2	2
3	73263	73263	Washer, Flat SAE Zinc 3/8	2
4	74851-SV		Weight, Slide, Silver Vein	2
		74851-G	Weight, Slide, Green	1
5	6280HD-109	6280HD-109	Spacer, Weight	4
6	74853-BLK	74853-BLK	Side Weight, Black	2
7	400159	400159	Bolt, Socket Head Cap Screw, 1/2-13 x 3-3/4	4
8	73426	73426	Bolt, Hex Head Cap 1/2-13x4-3/4	2
9	73403	73403	Washer, Split lock 1/2	6
10	73424	73424	Washer, Flat, Zinc SAE 1/2	6

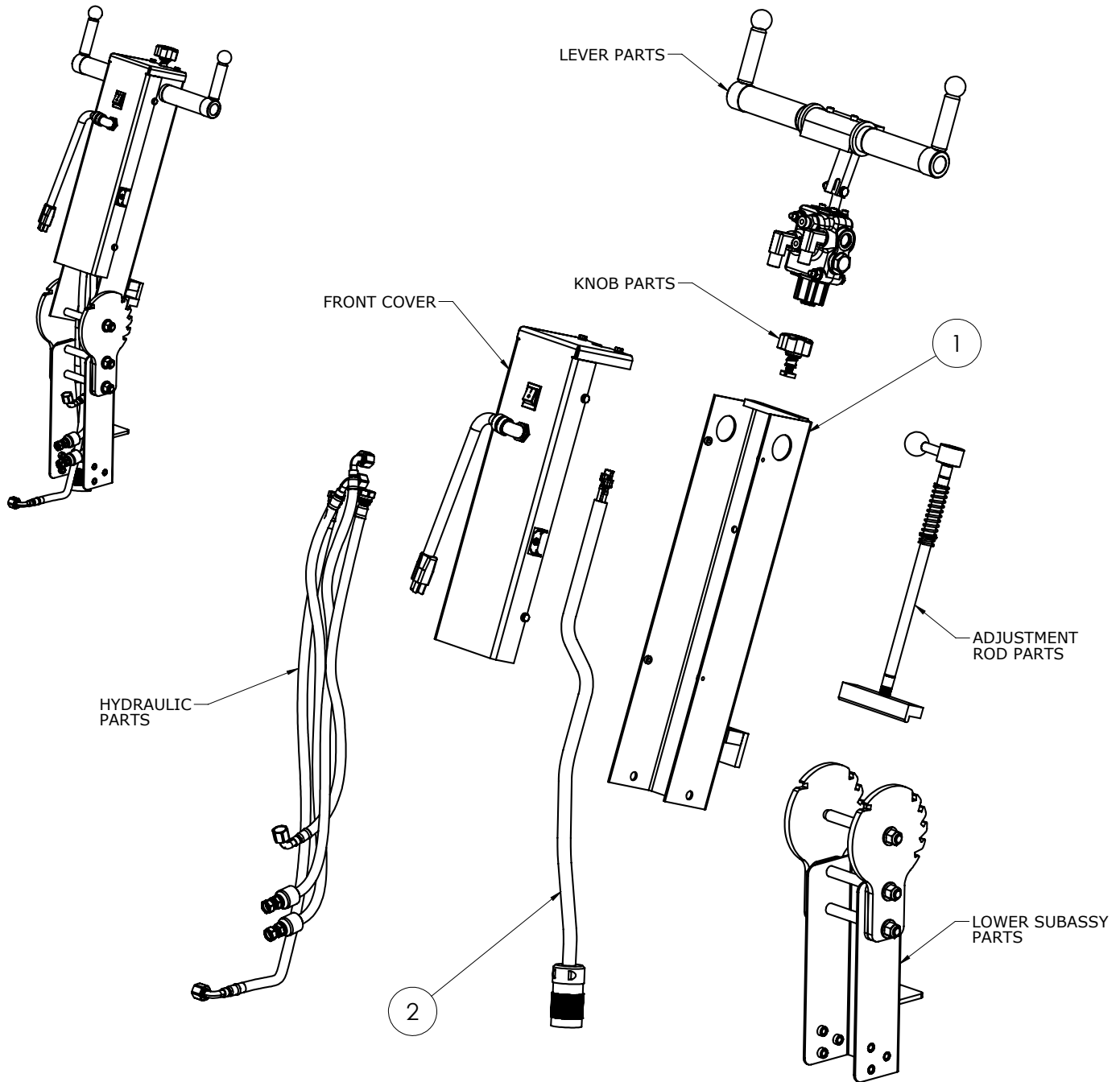
PUMP



ITEM NO.	6280HD-11XXXX 6280HD-13XXXX 6280HD-26XXXX 6280HD-27XXXX	6280HD-10XXXX 6280HD-12XXXX 6280HD-23XXXX	DESCRIPTION	QTY.
1	70925		Pump, Spline, #7	1
		6280-113S	Pump, Spline, #4	1
2	6280-117	6280-117	Fitting, Pump	1
3	6280-118	6280-118	Fitting, Suction Hose to Pump	1
4	6280-119	6280-119	Spacer, Pump	1
5	6280-120	6280-120	Suction Hose	1
6	73223	73223	Bolt, Flange 3/8-16x1-1/4	2

Parts List and Diagrams

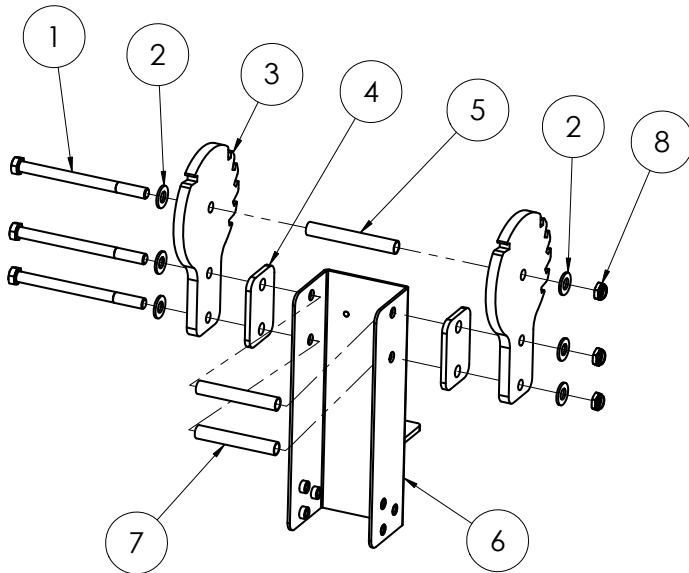
UPPER HANDLE



ITEM NO.	6280(HD)-10XXXX 6280(HD)-12XXXX 6280(HD)-23XXXX	6280(HD)-11XXXX 6280(HD)-13XXXX 6280(HD)-15XXXX 6280(HD)-20XXXX 6280(HD)-26XXXX 6280HD-27XXXX	DESCRIPTION	QTY.
1	6280-601	6280-601	Weldment, Upper Handle	1
2	401588		Cord, Handle, Commander, 6280, 110V	1
		401589	Cord, Handle, Commander, 6280, 220V	

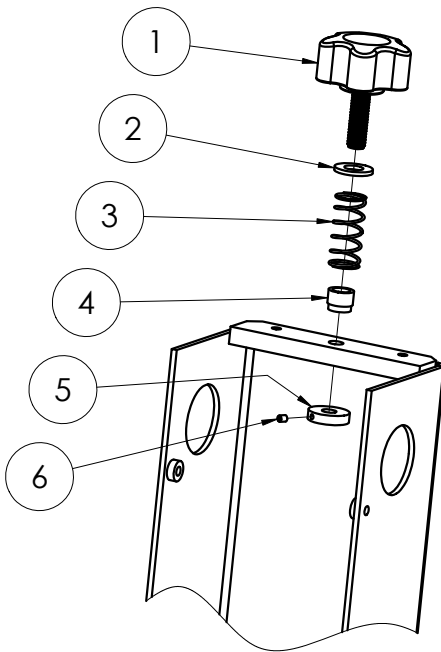
Parts List and Diagrams

LOWER SUB-ASSEMBLY



ITEM NO.	PART NUMBER	DESCRIPTION	QTY.
1	400056	Bolt, Hex Head 1/2-13x6-1/2	3
2	73424	Washer, Flat, Zinc SAE 1/2	6
3	6280-600	PLATE, INDEX, HANDLE	2
4	400077	Gasket, Handle	2
5	6280-618	Tube, Spacer, Long	1
6	401629	Handle, Lower, Rack Pins	1
7	6280-619	Spacer Tube, Short	2
8	400348	Nut, Nylock 1/2-13	3

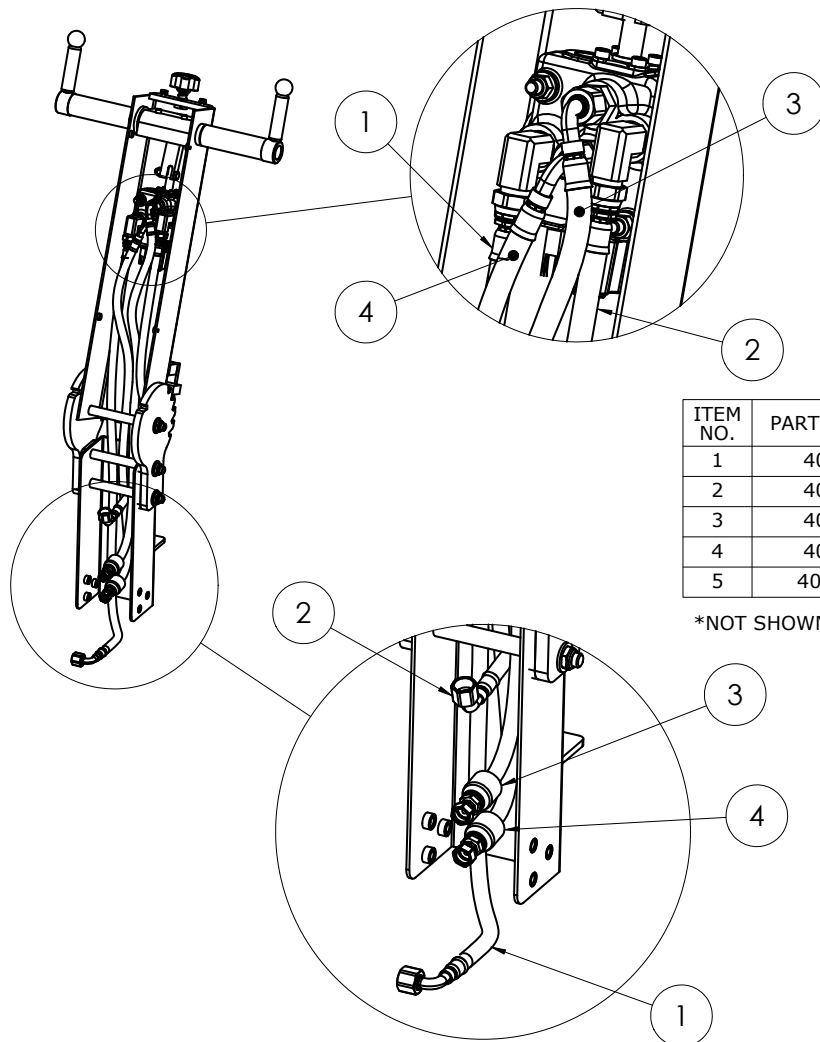
SPEED CONTROL KNOB



ITEM NO.	PART NUMBER	DESCRIPTION	QTY.
1	70638	Knob, Adjustable, 1-1/4"	1
2	73263	Washer, Flat SAE Zinc 3/8	1
3	402290	Spring, .66"OD x 1.50"L x .049"w	1
4	402256	Sleeve, Knob, Commander Handle	1
5	401997	Stopper, Speed Control	1
6	400340	Screw, 6-32 x 3/16 SSS CP	1

Parts List and Diagrams

HYDRAULICS

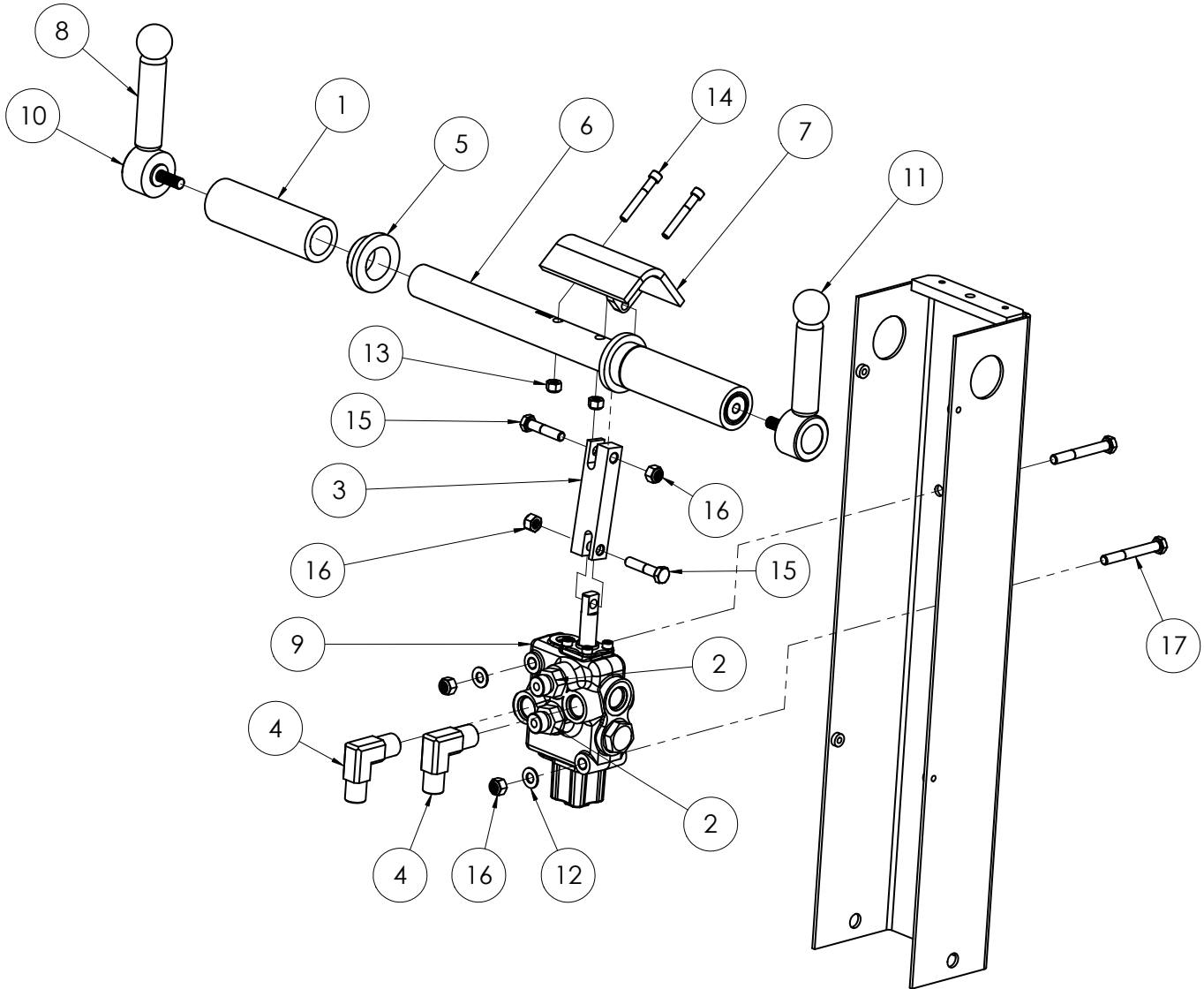


ITEM NO.	PART NUMBER	DESCRIPTION	QTY.
1	400031	Hose, Hydraulic, 1/4 x 40, F/90F	1
2	400033	Hose, Hydraulic, 3/8 x 36, F/F	1
3	400032	Hose, Hydraulic, 1/4 x 33, F/90F	1
4	400032	Hose, Hydraulic, 1/4 x 33, F/90F	1
5	400097*	Wrap, Kevlar	21"

*NOT SHOWN

Parts List and Diagrams

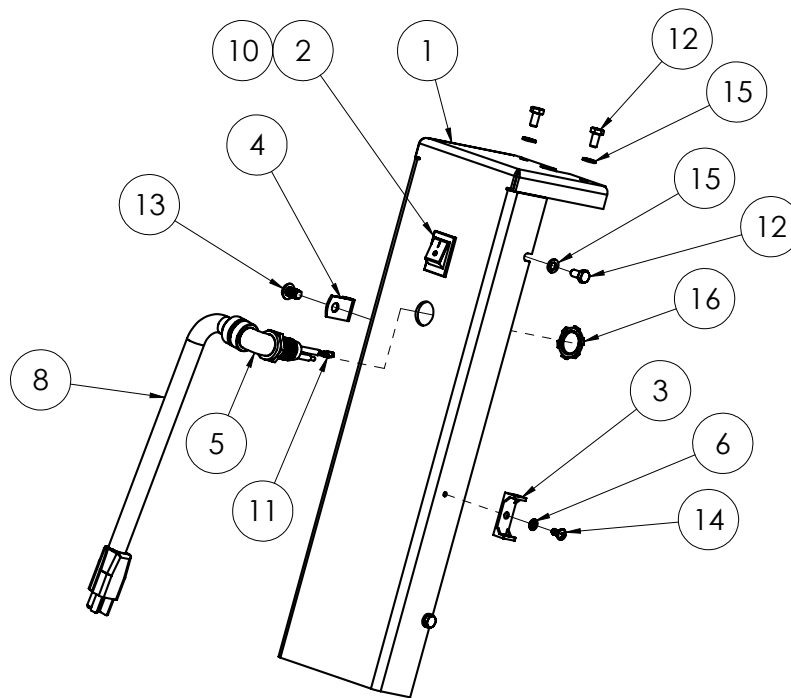
LEVER



ITEM NO.	PART NUMBER	DESCRIPTION	QTY.
1	400024	Grip, Foam, 1"	2
2	400034	Fitting, FF1231-06-08	2
3	401434	Linkage, Valve, Handle	1
4	5280-118	Fitting, 90 Degree	2
5	6280-607	Bushing, Handle Bar	2
6	6280-608	Weldment, Handle Bar	1
7	6280-613	Bracket, Valve Connector	1
8	70623	Grip, Foam	2
9	70624	Valve, Single Spool, Tapered	1
10	70636	Lever, Adjustable, Right Hand	1
11	70637	Lever, Adjustable, Left Hand	1
12	73351	Washer, Flat, 5/16, SAE	2
13	73008	Nut, Nylock 1/4-20	2
14	73066	Bolt, SHCS, 1/4-20x1.75	2
15	73334	Bolt, Hex Head Cap 5/16-18x1-1/2	2
16	73322	Nut, Nyloc, 5/16-18	4
17	73327	Bolt, Hex Head Cap 5/16-18x2 1/2	2

Parts List and Diagrams

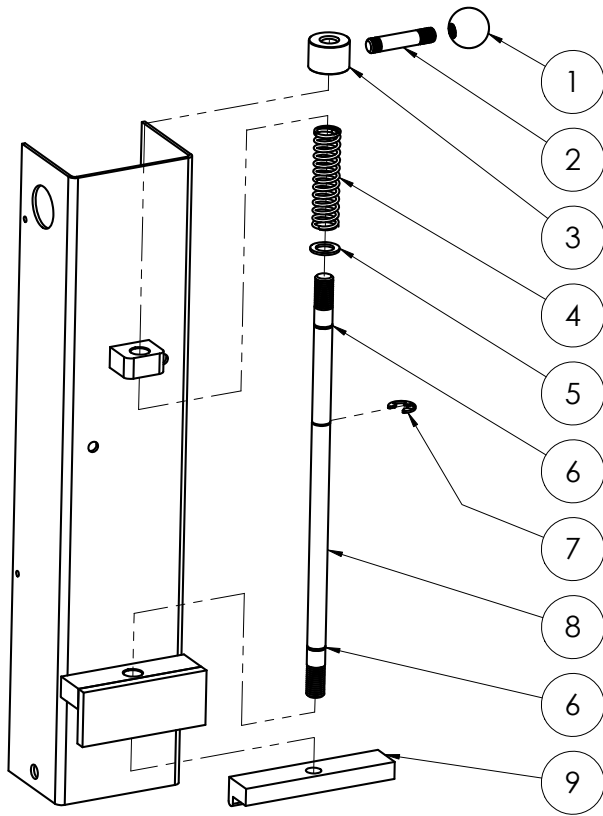
FRONT COVER



ITEM NO.	6280(HD)-10XXXX 6280(HD)-12XXXX 6280(HD)-23XXXX	6280(HD)-11XXXX 6280(HD)-13XXXX 6280(HD)-15XXXX 6280(HD)-20XXXX 6280(HD)-26XXXX	6280(HD)-27XXXX	DESCRIPTION	QTY.
1	6280-602	6280-602	6280-602	Cover, Upper Handle	1
2	6280-207	6280-207	6280-207	Switch, On-Off	1
3	6280-404	6280-404	6280-404	Holder, Blade Wrench	1
4	72873	72873	72873	3/8 Cable Clamp	1
5	401682	401682	401682	Connector, 1/2", 90 Degree	1
6	74413	74413	74413	Washer, Internal Lock #10	1
7	73351	73351	73351	Washer, Flat, 5/16, SAE	1
8	6280-168			Cord, Power, New Style	1
		401590		Cord, Line, Kommander, 6280, 220V	
			402839	Cord, Power, UK1-13P, BS1363A, Angle Plug, 13A 250 Volt	
10	92819	92819	92819	Disconnect, Quick, Nylon, 16-14 Gauge	2
11	72812	72812	72812	Disconnect, 12-10 Gauge, Female, Nylon	1
12	74630	74630	74630	Bolt, Hex Head Cap M6-12 8.8	6
13	73301	73301	73301	Bolt, Button Head Socket Cap 5/16-18x1/2	1
14	74406	74406	74406	Screw, Phillips Pan Head 10-32x3/8	1
15	74619	74619	74619	Washer, Lock, M6	6
16	73401	73401	73401	Nut, Strain Relief, Steel, 1/2"	1

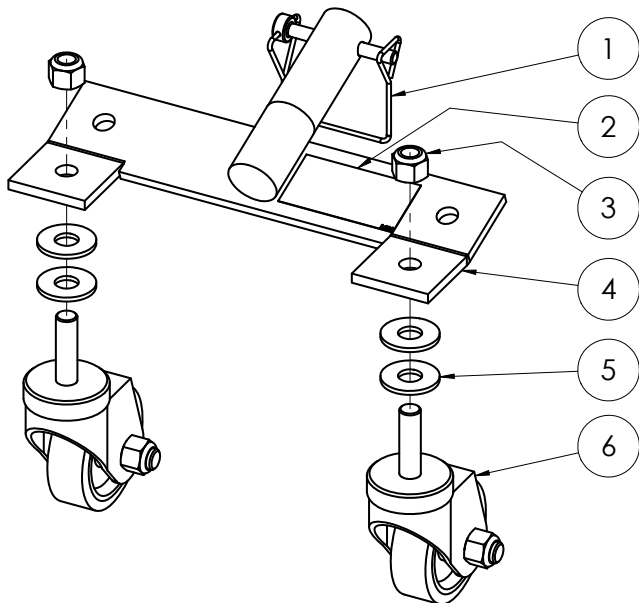
Parts List and Diagrams

ADJUSTMENT ROD



ITEM NO.	PART NUMBER	DESCRIPTION	QTY.
1	6280-606	Handle, Ball	1
2	92800-98	Rod, Adjustment, Short	1
3	92800-99	Collar, Adjustment Rod	1
4	92800-12	Spring, Adjustment, 3.5"	1
5	402201	Washer, .625 ID x 1.000 OD	1
6	402197	O-ring, .489 ID X .629 OD X .070 W	2
7	402200	E-Clip, Shaft, .625	1
8	402219	Rod, Adjustment, Large, 3X Groove	1
9	6280-611	Lock, Adjustment Bar	1

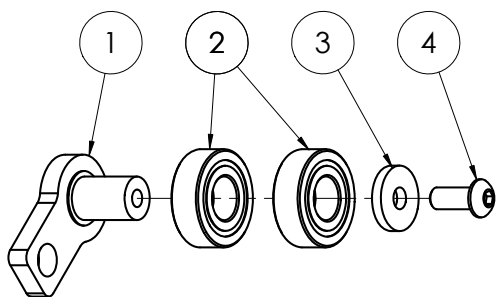
TRANSPORT WHEEL



ITEM NO.	PART NUMBER	DESCRIPTION	QTY.
1	73330	5/16 X 2.0 Lock Pin	1
2		Label Caution	1
3	73402	Nut, Nylock 1/2-13	2
4	6280HD-300	BRACKET, TRANSPORT WHEELS	1
5	73425	Washer, Flat USS Zinc 1/2	4
6	6280-301	Caster Assy, Swivel, 3-inch, Stem	2

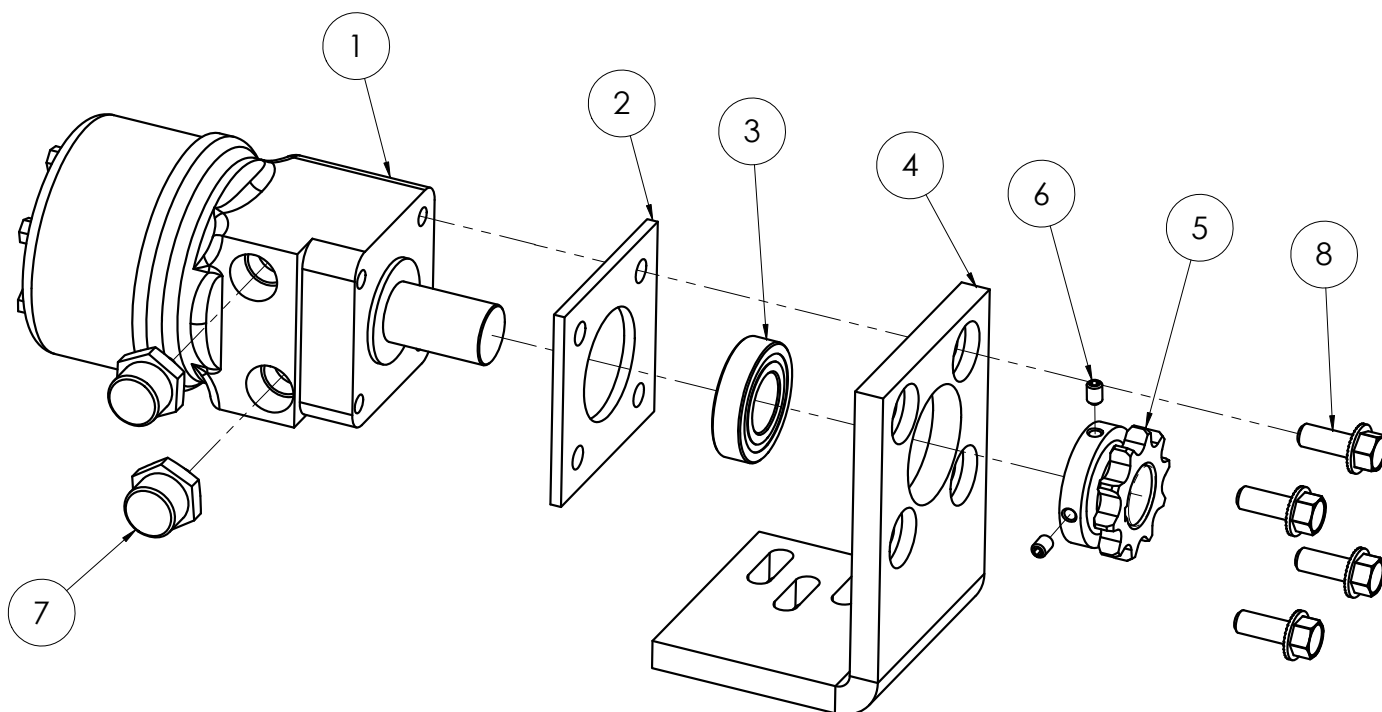
Parts List and Diagrams

IDLER MOUNT



ITEM NO.	PART NUMBER	DESCRIPTION	QTY.
1	6280-125W	Bracket and Pin, Idler Mount	1
2	71072	Bearing, 1/2 ID DCTN-1616	2
3	6280-126A	Cap, Idler Bearing	1
4	73003	Screw, Button Head Socket Cap 1/4-20x5/8	1

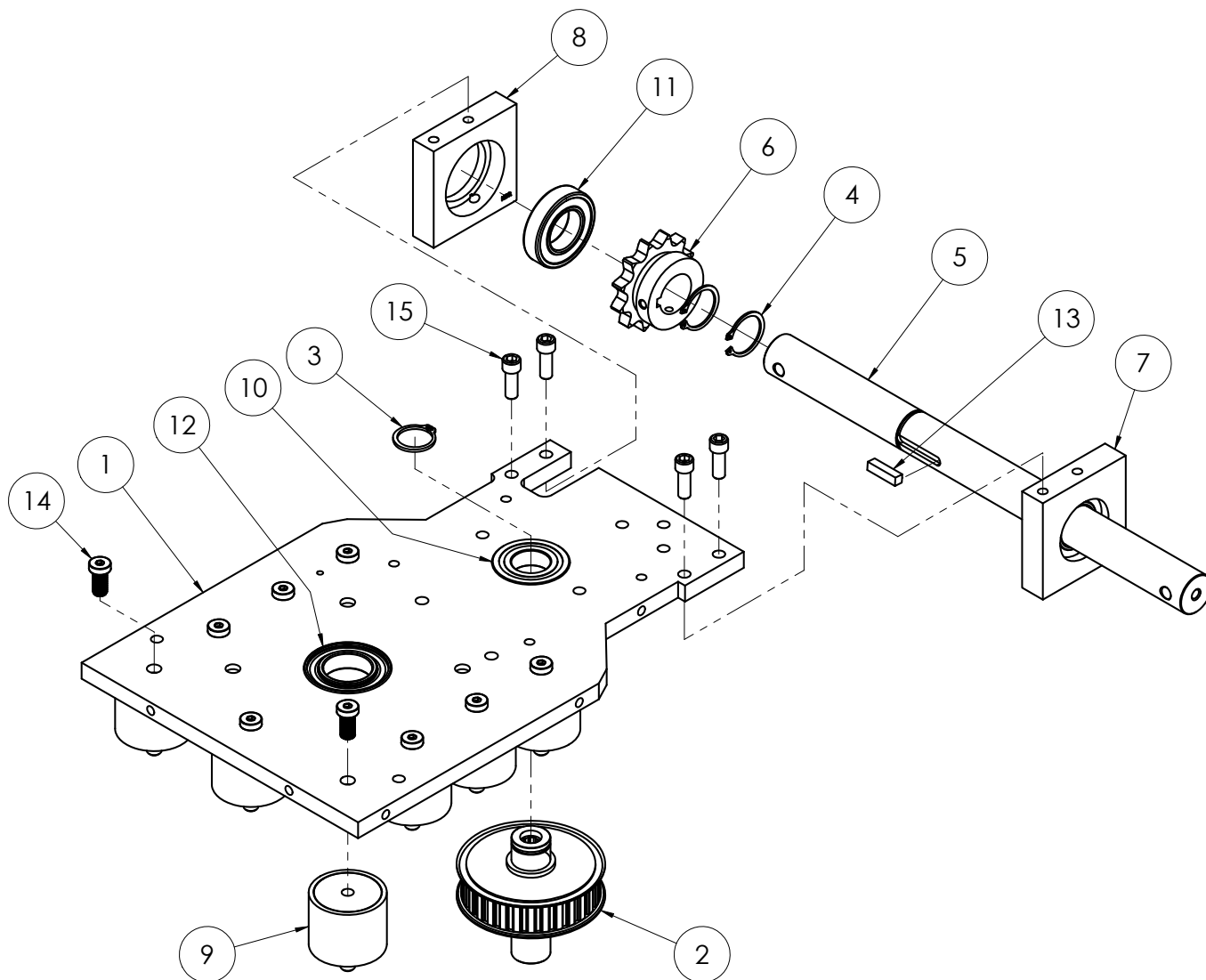
HYDRAULIC MOTOR



ITEM NO.	PART NUMBER	DESCRIPTION	QTY.
1	6280HD-225	Motor, Hydraulic	1
2	6280-225	Spacer, Hydraulic Motor	1
3	71115	Bearing, 1x2x1/2	1
4	6280-226	Bracket, Mounting, Hydraulic Motor	1
5	401541	Sprocket, Axle, Heavy Duty	1
6	73012	Screw, Set, 1/4-20 x 3/8	2
7	6280-221	Connector, Hydraulic Motor	2
8	73222	Bolt, Flange 3/8-16 x 1	4

Parts List and Diagrams

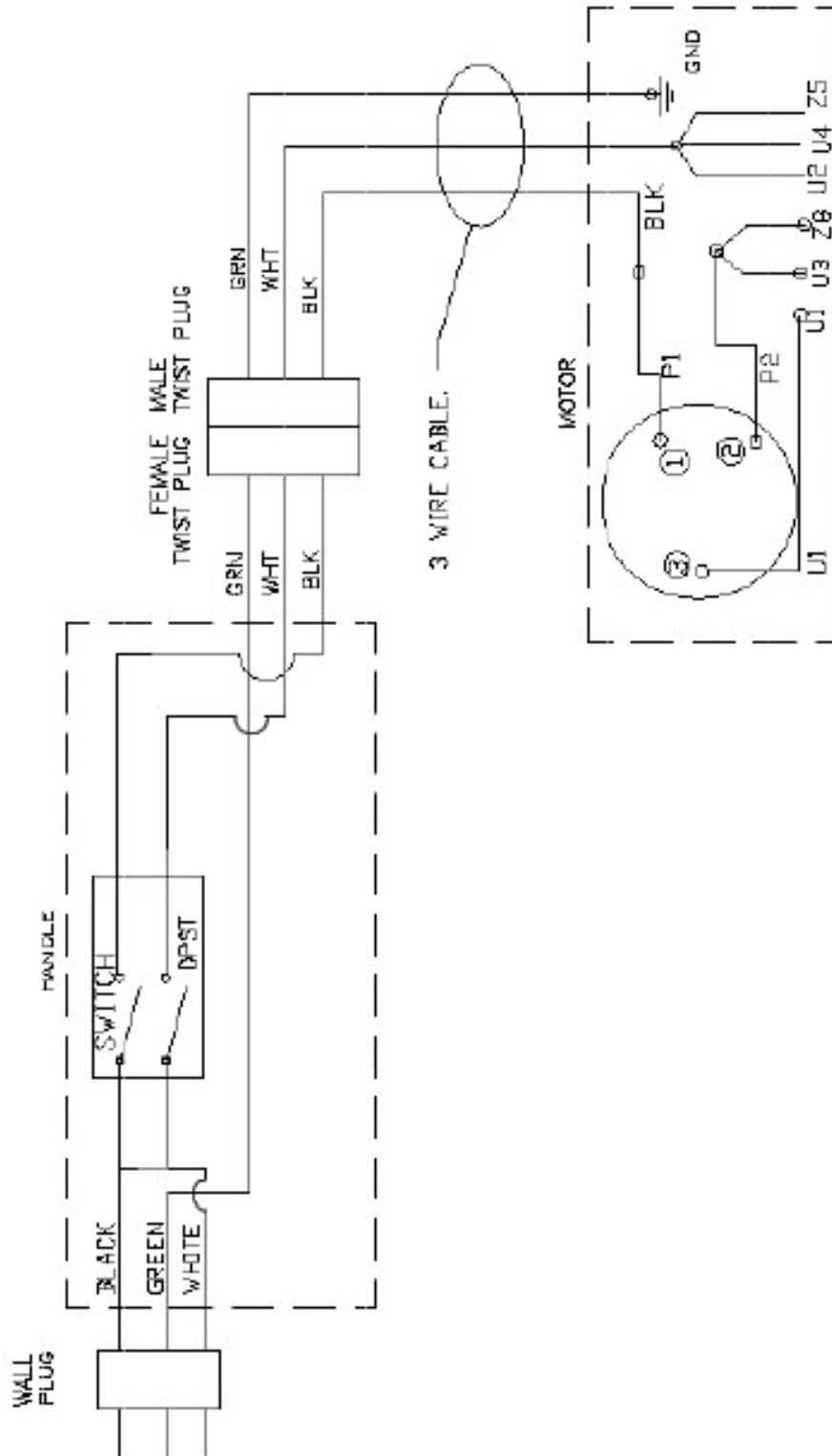
BASE



ITEM NO.	PART NUMBER	DESCRIPTION	QTY.
1	6280HD-107	Plate, Base, 6280HD	1
2	402210	Pump Drive Assy, Splined, HD	1
3	6280-103A	Ring, Retaining, Ext, Axial, 1"	1
4	6280HD-102	Ring, Axle Snap	4
5	6280HD-103	Axle, Drive	1
6	6280HD-104	Sprocket, Axle	1
7	6280HD-105L	Support, Axle Bearing, Left	1
8	6280HD-105R	Support, Axle Bearing, Right	1
9	70810	Isolator, Vibration	9
10	71115	Bearing, 1x2x1/2	1
11	71128	Bearing, 1-1/8ID R18-2RS	2
12	71132	Bearing, 1-1/4	1
13	73033	Key, 1/4 x 1/4 x 1"	1
14	73217	Screw, Socket Head Cap, Low, 3/8-16 x 3/4	9
15	73310	Screw, Socket Head Cap, Grade 5 5/16-18x7/8	4

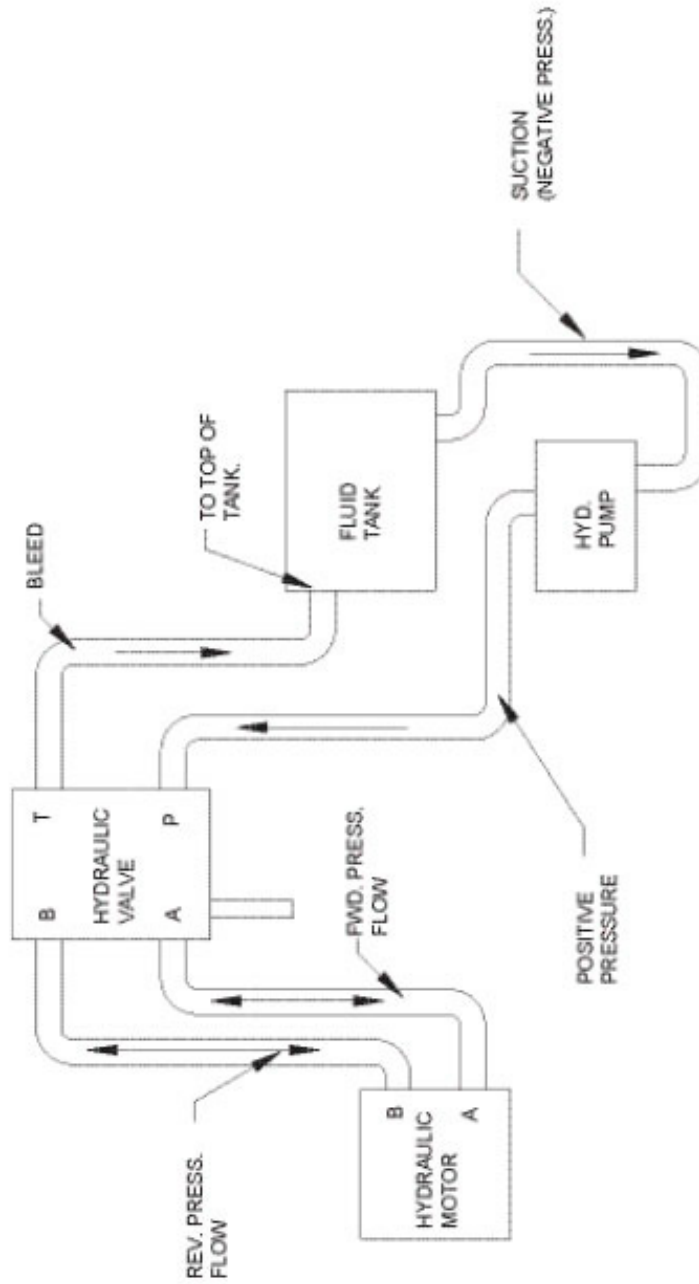
Parts List and Diagrams

WIRING



Parts List and Diagrams

HYDRAULIC LAYOUT



Warranty

National Flooring Equipment Inc. (referred to as "the Company") warrants that each new unit manufactured by The Company, to be free from defects in material and workmanship in normal use and service for a period of twelve (12) months from date of shipment from the Company. For administrative ease, will honor warranty for a period of fifteen (15) months from date of shipment from the company. Accessories or equipment furnished and installed on the product by the Company but manufactured by others, including but not limited to: engines, motors, electrical components, transmissions etc., shall carry the accessory manufacturers own warranty. Battery warranties are prorated over the warranty period. Customer is responsible for the inspection of equipment / parts upon delivery. Freight damages reported beyond authorized time frame will not be honored.

The Company, at its determination of defect, will repair or replace any product or part deemed to be defective in material or workmanship within specified warranty time period. All product determinations and / or repairs will take place at the designated Company repair facility, or at a certified warranty location designated by the Company. The Company will coordinate and be responsible for all freight expenses associated with valid warranty claims. Freight and shipping expenses associated with abuse or misuse will be back charged to the Distributor/Customer. The Company reserves the right to modify, alter or improve any part / parts without incurring any obligation to replace any part / parts previously sold without such modified, altered or improved part / parts. In no event shall the seller or manufacturer of the product be liable for special, incidental, or consequential damages, including loss of profits, whether or not caused by or resulting from the negligence of seller and / or the manufacturer of the product unless specifically provided herein. This warranty shall not apply to any products or portions there of which have been subjected to abuse, misuse, improper installation or operation, lack of recommended maintenance, electrical failure or abnormal conditions and to products which have been tampered with, altered, modified, repaired, reworked by anyone not approved or authorized by the Company or used in any manner inconsistent with the provisions of the above or any instructions or specifications provided with or for the product. Any and all unauthorized onsite warranty work conducted by unauthorized personnel or any outside person(s), is not covered by the Company unless the work has been pre-authorized by a predetermined manufacturer representative. This excludes wearable parts and/or consumables.

Defective or failed material or equipment shall be held at the purchaser's premises until authorization has been granted by the Company to return or dispose of defective products. Products returned for final inspection must be returned with a manufacturer authorized Return Material Authorization (RMA). Any unauthorized return of equipment will be declined at the dock by the Company. Any non-approved items returned with approved returned items are subject to rejection and will not be credited. Credit will be issued for material found to be defective upon the Company's inspection based on prices at time of purchase.

TO OBTAIN SERVICE CONTACT NATIONAL FLOORING EQUIPMENT, INC. TOLL FREE AT 800-245-0267 FOR A REPAIR AUTHORIZATION NUMBER. COD FREIGHT RETURNS WILL NOT BE ACCEPTED. FREIGHT COLLECT SHIPMENTS WILL NOT BE ACCEPTED. WARRANTY REPAIRS MUST BE ACCOMPANIED BY DATE OF PURCHASE RECEIPT AND A RETURN/REPAIR AUTHORIZATION NUMBER.

RETURN/REPAIR AUTHORIZATION NUMBER: _____

MACHINE SERIAL NUMBER: _____



Call AAA Rent-All at 225-291-1356 for assistance ordering parts



Made in America Since 1968

9250 Xylon Avenue N • Minneapolis, MN 55445 • U.S.A.
Toll-free 800-245-0267 • Phone 763-315-5300 • Fax 800-648-7124 • Fax 763-535-8255
Web Site: www.nationalequipment.com • E-Mail: info@nationalequipment.com